

AFTERCARE INSTRUCTIONS

Excessive exposure to water will deteriorate the furniture. Wipe away any water splashes or condensation after use.

All bathrooms should be well ventilated. If necessary, we recommend the installation of a suitable extractor fan.

Clean with a soft damp cloth only.

Use a wax free polish if one must be used.

CUSTOMER SERVICE

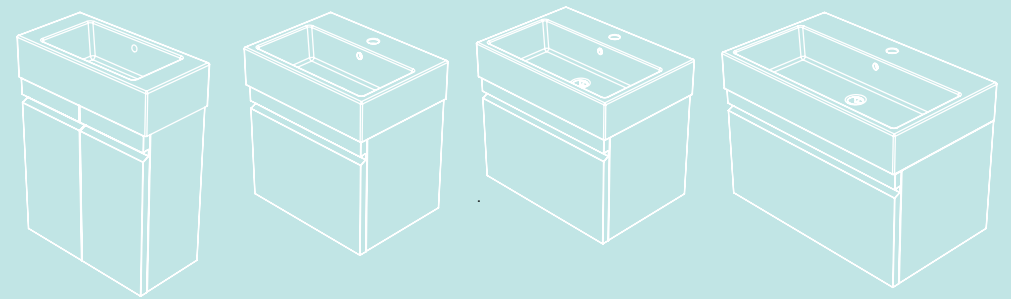
t: +44(0)208 686 5100
e: technical@saneux.com

4 Imperial Way
Croydon CR0 4RR

www.saneux.com

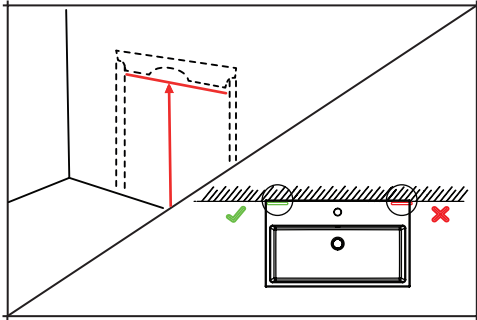
MATTEO

INSTALLATION INSTRUCTIONS



MAO51W - MAO50W - MAO60W - MAO75W

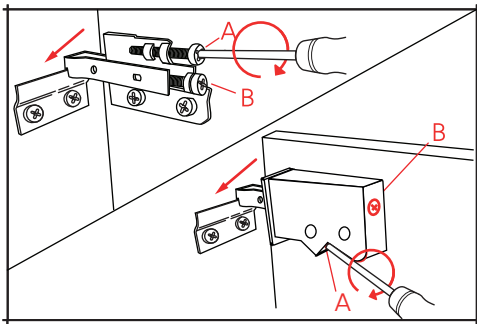
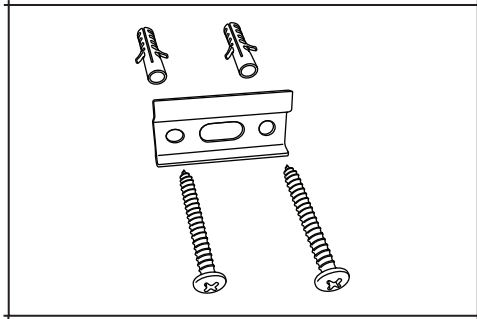
saneux



Furniture Installation.

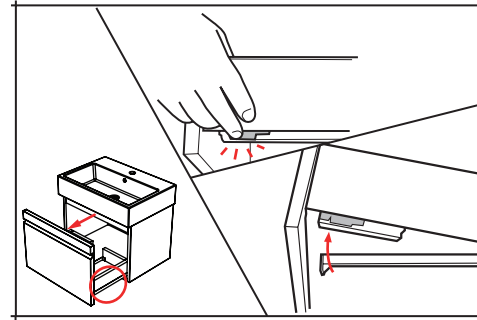
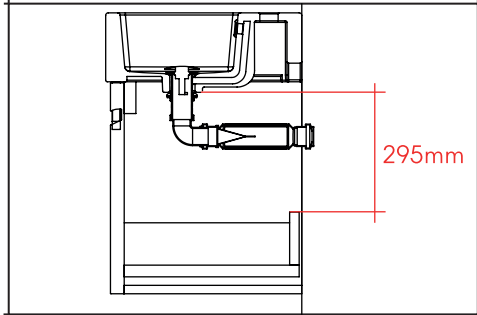
Mark the location of both mounting plates ensured that they are positioned inside the sidewalls of the unit. The recommended height for the unit including basin is 900mm.

Make sure that there are no hidden pipes or cables in the wall. Drill 2 holes per mounting plate using an 8mm drill bit to a depth of 55mm. The fixings supplied are for solid walls. For hollow or stud walls use specialist fixings.



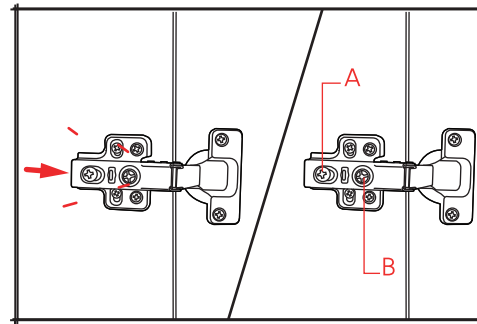
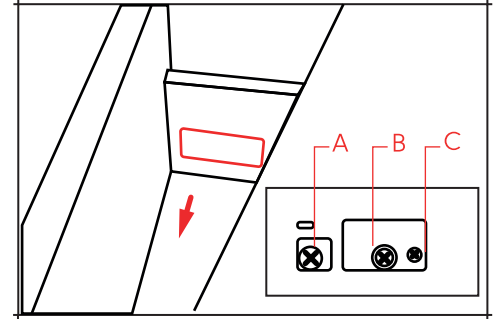
Locate the hangers onto the wall mounting plates. Screw A adjusts the height of the unit. Screw B tightens the unit against the wall.

Make all plumbing connections and test for any leaks. This furniture unit does not have a 'U' cutout. For this reason, we recommend the following waste accessories:
WA005 - Low profile waste trap.
530S- Click waste.
WA006 - Super low profile waste trap & click waste.



To remove the drawer from the unit, fully extend the drawer. On the underneath of either side of the drawer are two plastic clips that can be pushed inwards to release the drawer from the runners.

The front panel can be adjusted by the screws located at the sides of the drawer, which can be accessed by removing the cover cap.
Screw A adjusts the depth.
Screw B secures the position.
Screw C adjusts the width.



For door units, the doors can be removed by pushing the button at the back of each hinge. The position of the doors can be adjusted by the screws on the hinges.
Screw A adjusts the depth.
Screw B adjusts the width.

Having finished all plumbing connections, secure the basin to the unit **using a silicone sealant**. Make sure the basin is correctly aligned with the furniture and allow the sealant to dry. The silicone sealant will help the basin sit level on the furniture and protect the unit from water damage.

